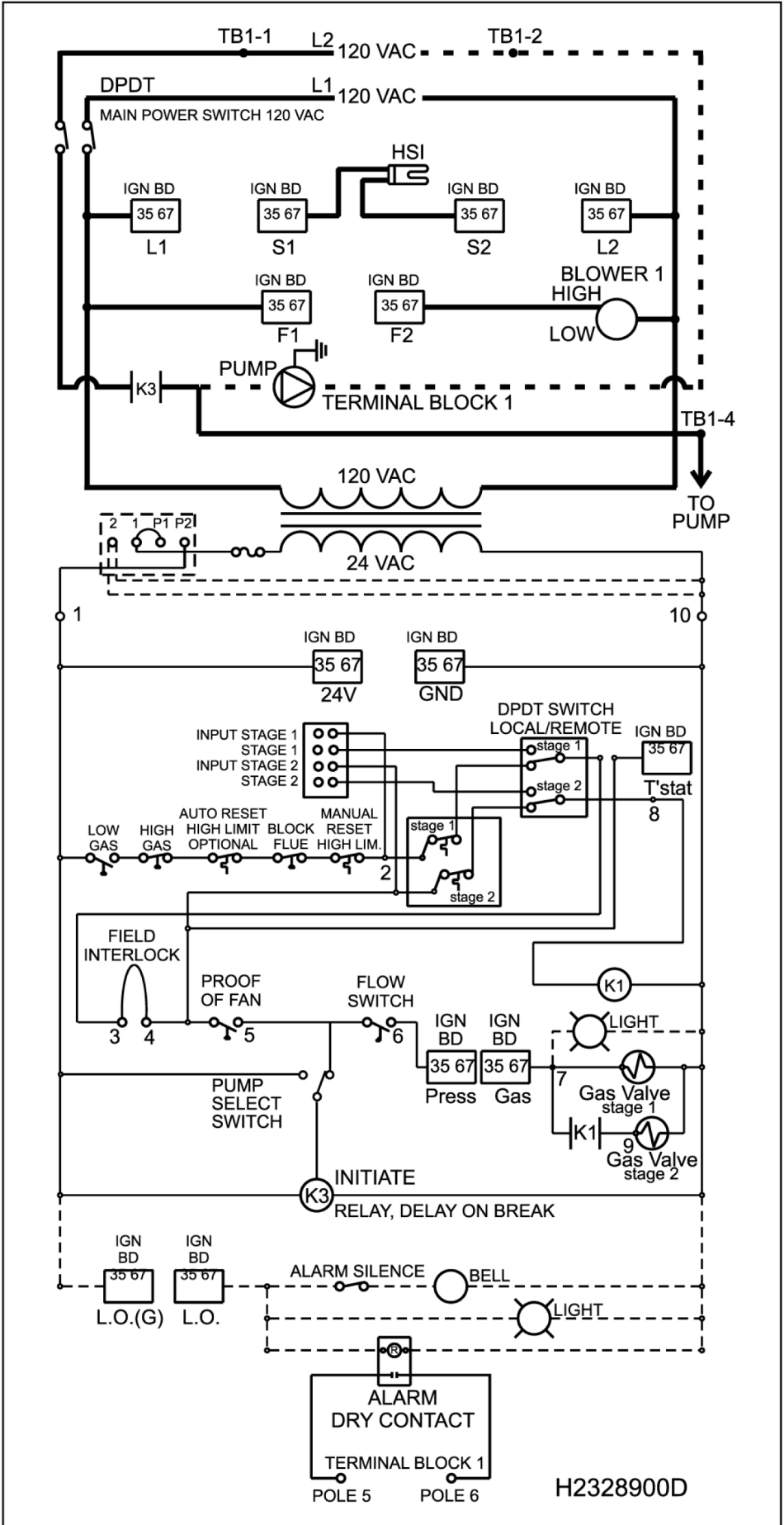
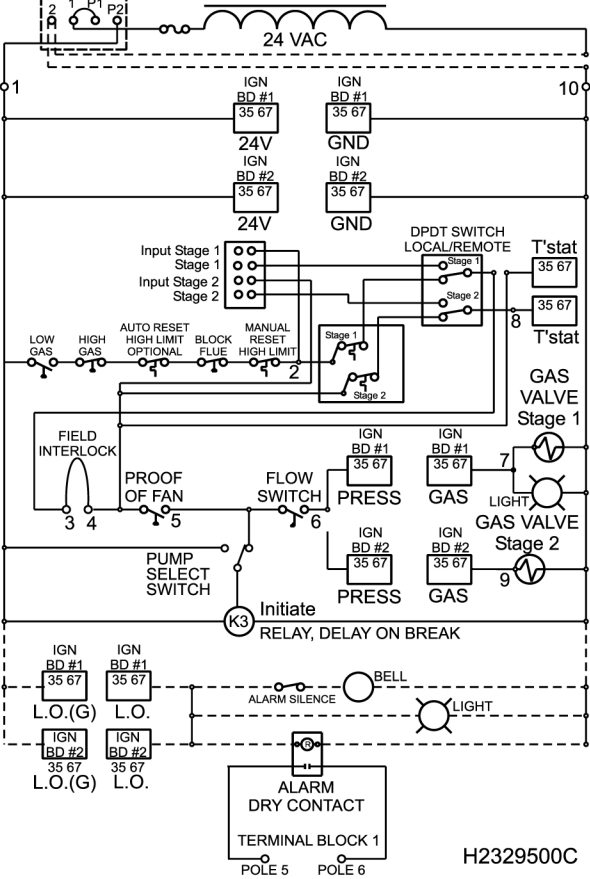
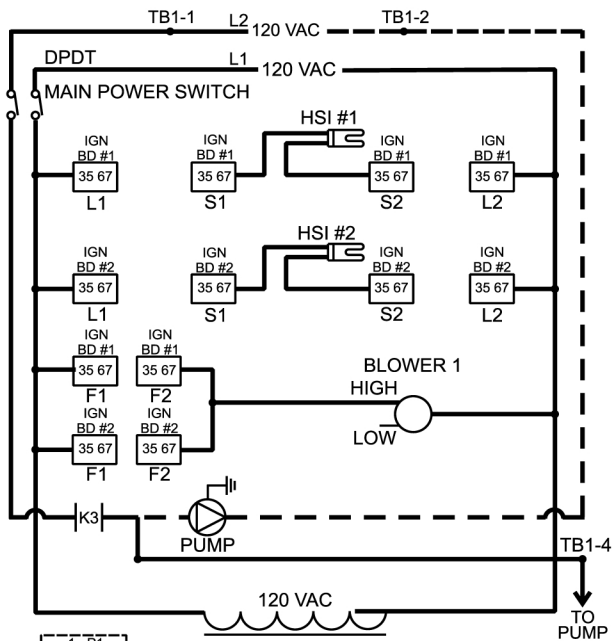


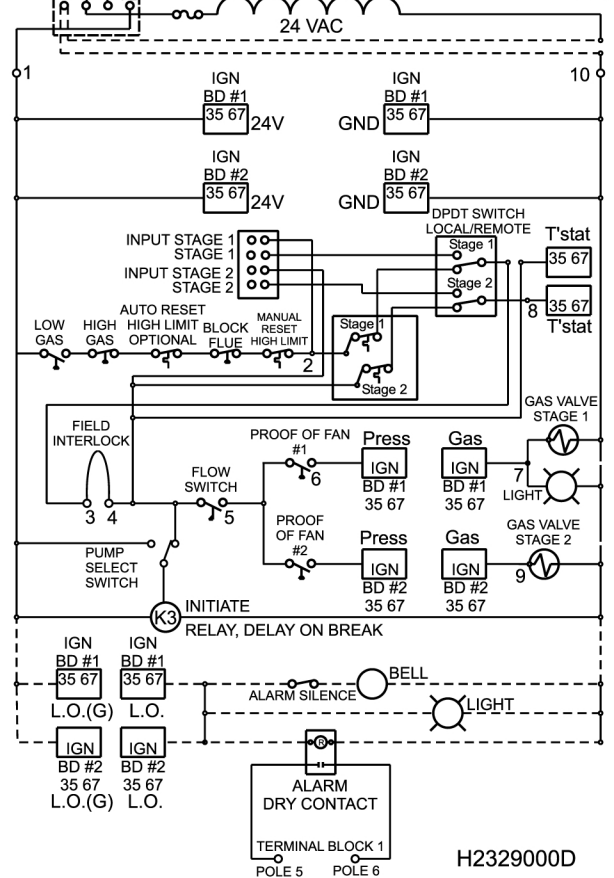
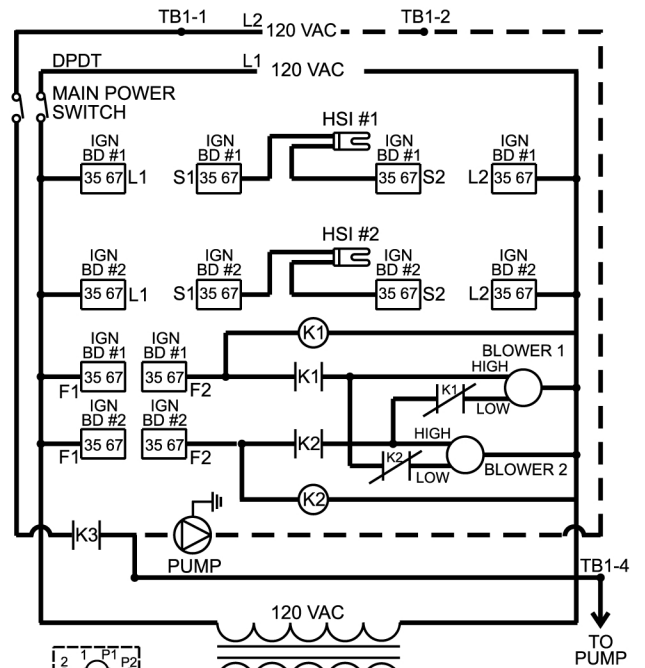
Wiring Diagram MightyTherm2 500-2000



Mighty Therm2 (500-750) Wiring Diagram.



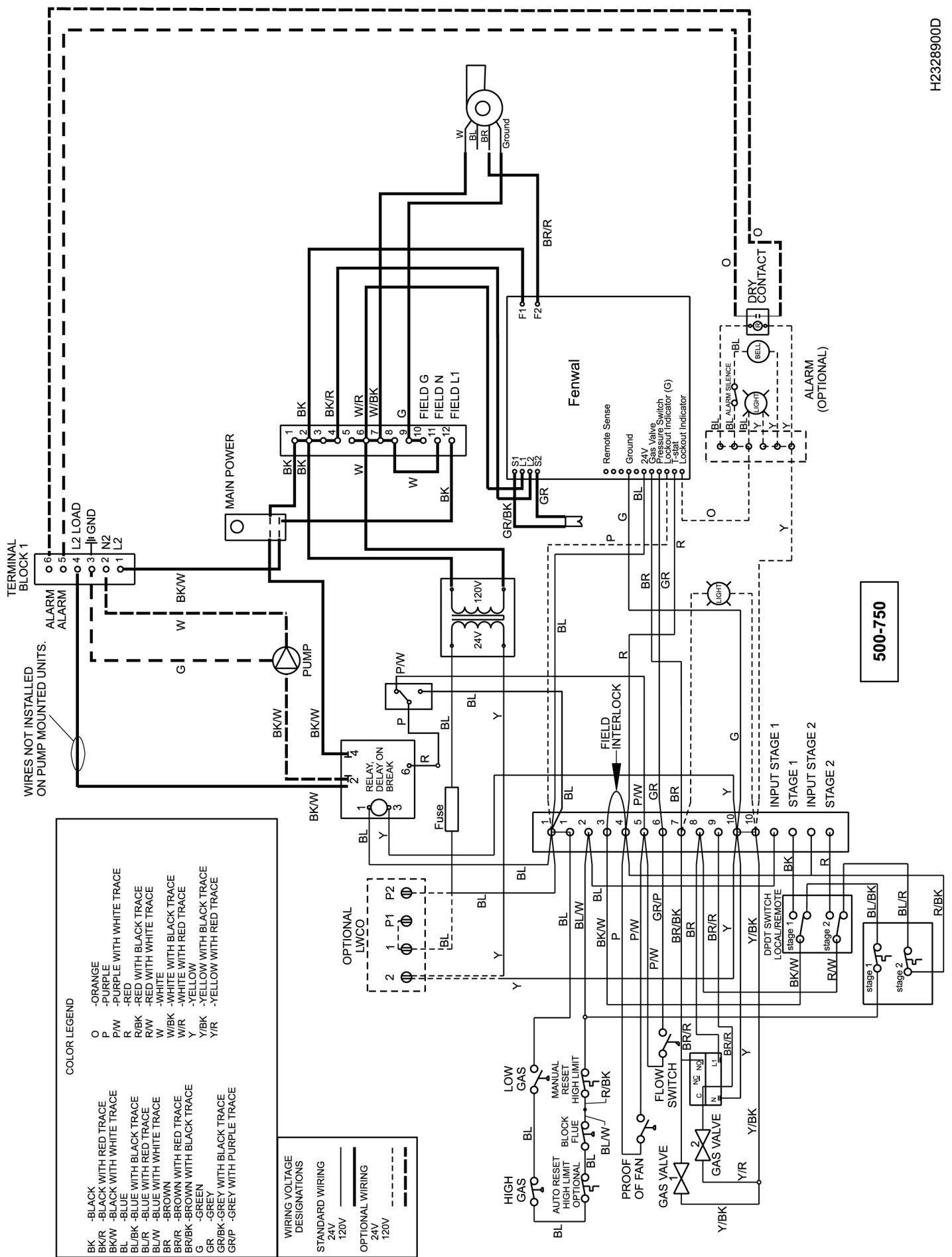
H2329500C



H2329000D

Mighty Therm2 (1000) Wiring Diagram.

Mighty Therm2 (1250-2000) Wiring Diagram.



COLOR LEGEND

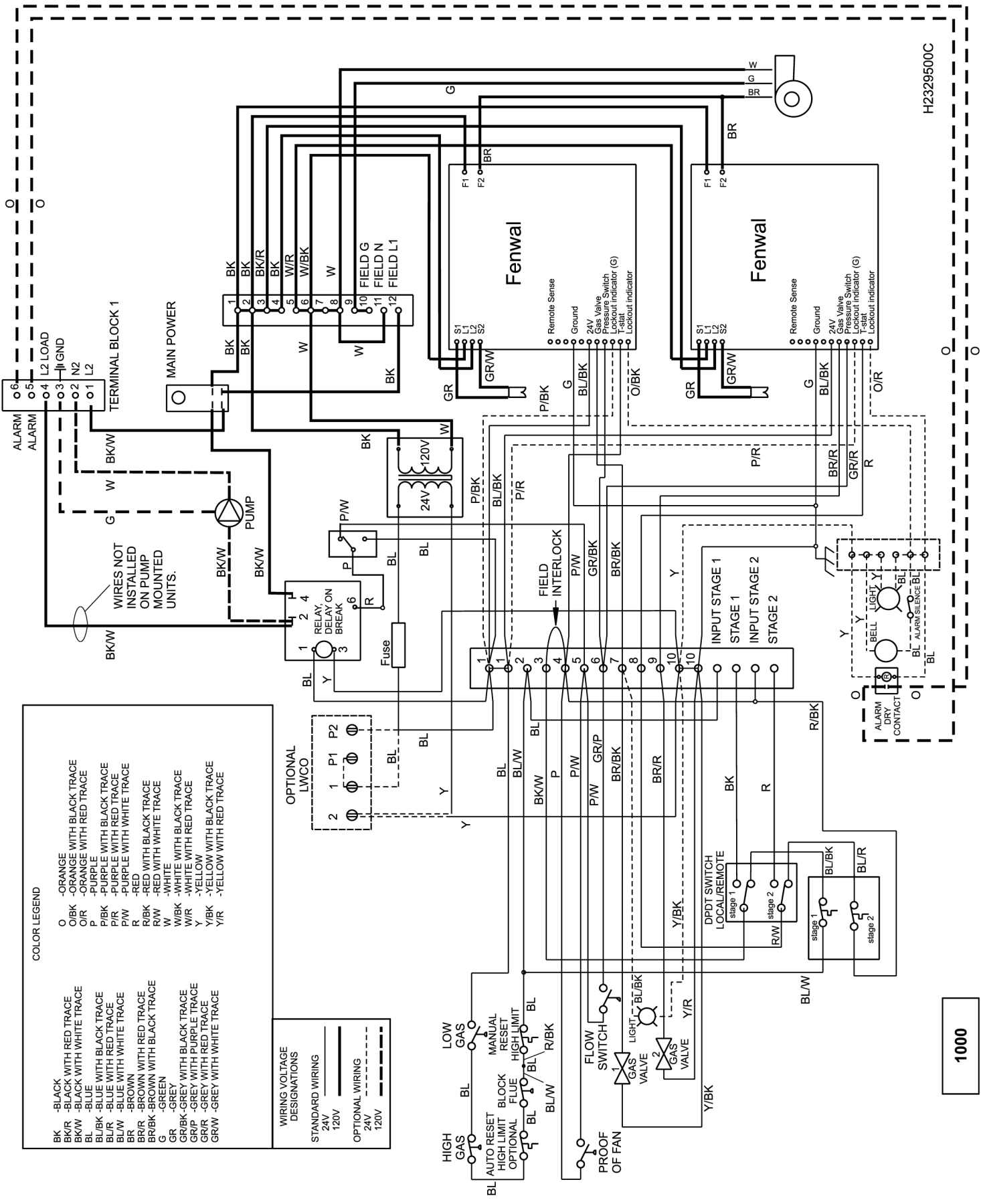
BK	-BLACK
BK/R	-BLACK WITH RED TRACE
BK/W	-BLACK WITH WHITE TRACE
BL	-BLUE
BL/BK	-BLUE WITH BLACK TRACE
BL/R	-BLUE WITH RED TRACE
BL/W	-BLUE WITH WHITE TRACE
BR	-BROWN
BR/R	-BROWN WITH RED TRACE
BR/BK	-BROWN WITH BLACK TRACE
G	-GREEN
GR	-GREY
GR/BK	-GREY WITH BLACK TRACE
GR/P	-GREY WITH PURPLE TRACE
O	-ORANGE
P	-PURPLE
P/W	-PURPLE WITH WHITE TRACE
R	-RED
R/BK	-RED WITH BLACK TRACE
R/W	-RED WITH WHITE TRACE
W	-WHITE
W/BK	-WHITE WITH BLACK TRACE
W/R	-WHITE WITH RED TRACE
Y	-YELLOW
Y/BK	-YELLOW WITH BLACK TRACE
Y/R	-YELLOW WITH RED TRACE

WIRING DESIGNATIONS

—	STANDARD WIRING
—	24V
—	120V
—	OPTIONAL WIRING
—	24V
—	120V

500-750

Mighty Therm2 (500-750) Connection Diagram.



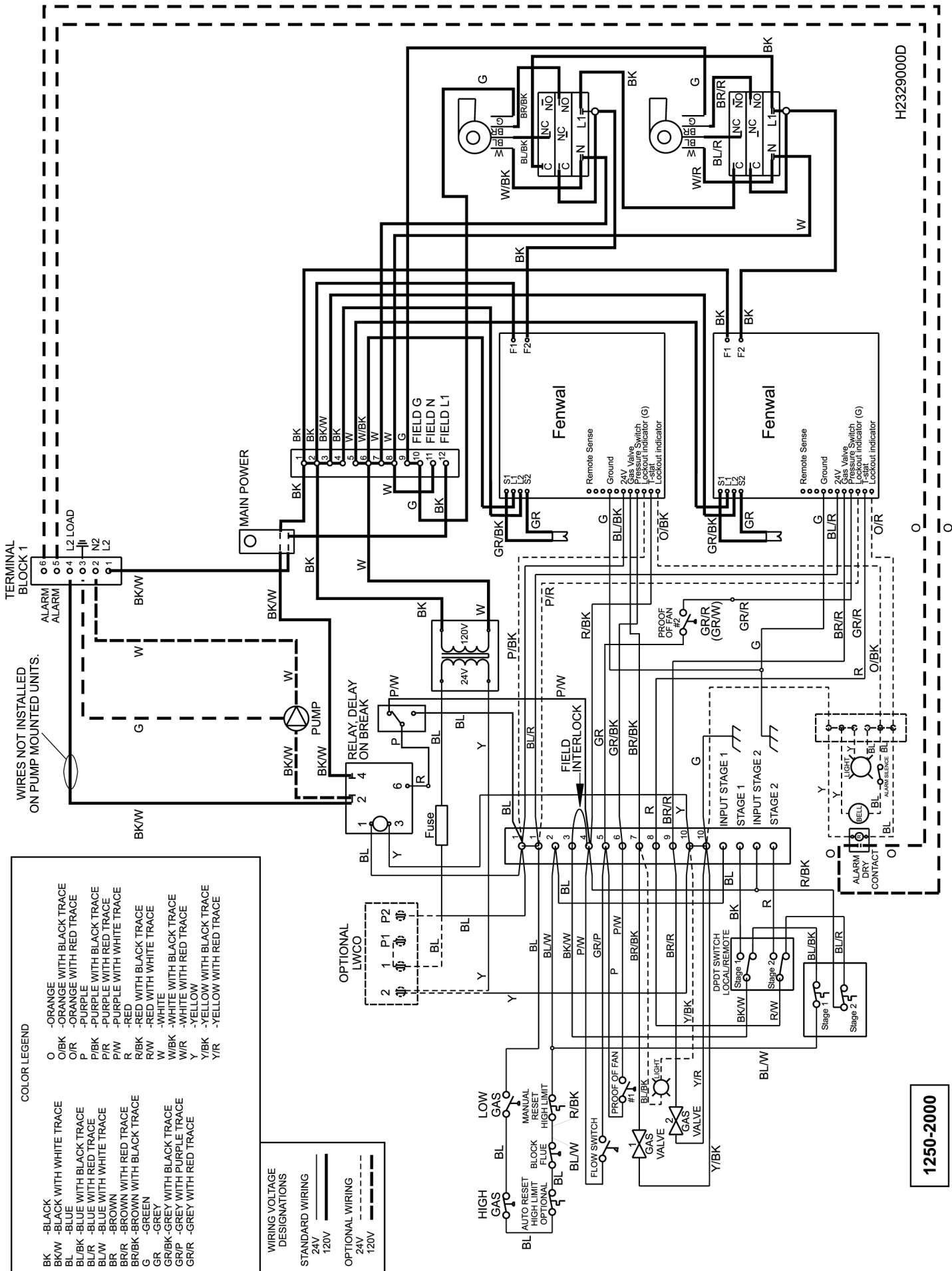
H2329500C

- COLOR LEGEND**
- O -ORANGE WITH BLACK TRACE
 - O/R -ORANGE WITH RED TRACE
 - P -PURPLE WITH BLACK TRACE
 - P/BK -PURPLE WITH RED TRACE
 - P/R -PURPLE WITH WHITE TRACE
 - P/W -RED
 - R -RED WITH BLACK TRACE
 - R/BK -RED WITH WHITE TRACE
 - R/W -WHITE
 - W -WHITE WITH BLACK TRACE
 - W/BK -WHITE WITH RED TRACE
 - Y -YELLOW
 - Y/BK -YELLOW WITH BLACK TRACE
 - Y/R -YELLOW WITH RED TRACE

- BK -BLACK
- BK/R -BLACK WITH RED TRACE
- BK/W -BLACK WITH WHITE TRACE
- BL -BLUE
- BL/BK -BLUE WITH BLACK TRACE
- BL/R -BLUE WITH RED TRACE
- BL/W -BLUE WITH WHITE TRACE
- BR -BROWN
- BR/BK -BROWN WITH BLACK TRACE
- BR/R -BROWN WITH RED TRACE
- BR/W -BROWN WITH WHITE TRACE
- G -GREEN
- GR -GREY
- GR/BK -GREY WITH BLACK TRACE
- GR/R -GREY WITH RED TRACE
- GR/W -GREY WITH WHITE TRACE

- WIRING VOLTAGE DESIGNATIONS**
- STANDARD WIRING
- 24V
 - 120V
- OPTIONAL WIRING
- 24V
 - 120V

1000



COLOR LEGEND

BK	-BLACK
BK/W	-BLACK WITH WHITE TRACE
BL	-BLUE
BL/BK	-BLUE WITH BLACK TRACE
BL/R	-BLUE WITH RED TRACE
BL/W	-BLUE WITH WHITE TRACE
BR	-BROWN
BR/R	-BROWN WITH RED TRACE
BR/BK	-BROWN WITH BLACK TRACE
G	-GREEN
GR	-GREY
GR/BK	-GREY WITH BLACK TRACE
GR/P	-GREY WITH PURPLE TRACE
GR/R	-GREY WITH RED TRACE
O	-ORANGE
O/BK	-ORANGE WITH BLACK TRACE
O/R	-ORANGE WITH RED TRACE
P	-PURPLE
P/BK	-PURPLE WITH BLACK TRACE
P/R	-PURPLE WITH RED TRACE
P/W	-PURPLE WITH WHITE TRACE
R	-RED
R/BK	-RED WITH BLACK TRACE
R/W	-RED WITH WHITE TRACE
W	-WHITE
W/BK	-WHITE WITH BLACK TRACE
W/R	-WHITE WITH RED TRACE
Y	-YELLOW
Y/BK	-YELLOW WITH BLACK TRACE
Y/R	-YELLOW WITH RED TRACE

WIRING VOLTAGE DESIGNATIONS

STANDARD WIRING	24V
STANDARD WIRING	120V
OPTIONAL WIRING	24V
OPTIONAL WIRING	120V

1250-2000

HZ329000D